

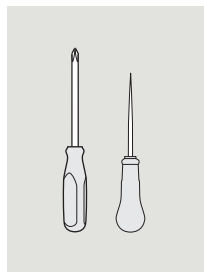
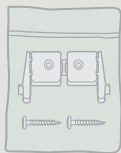
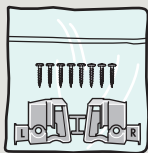
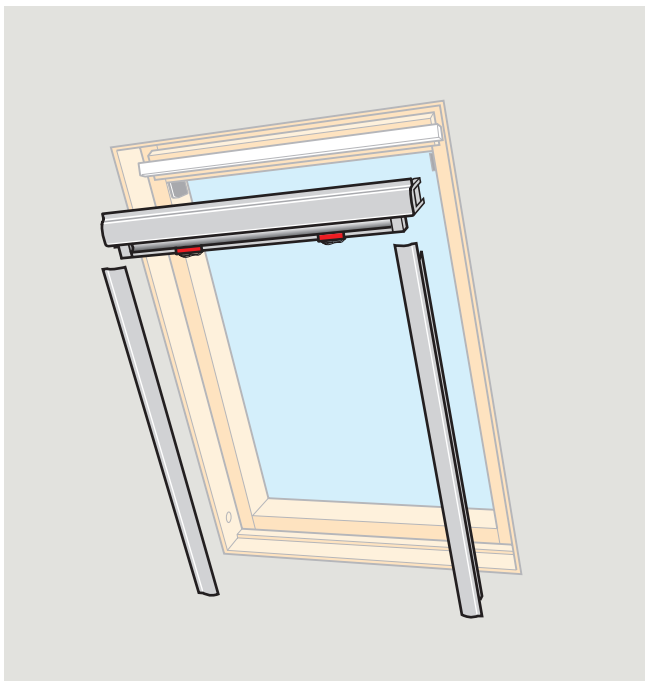
**VELUX®**

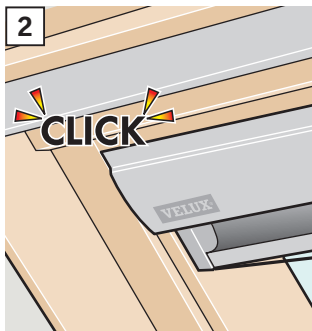
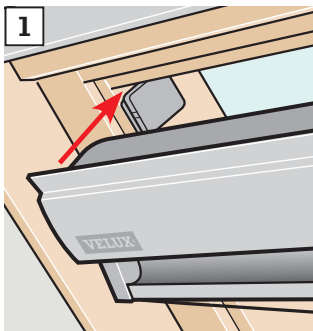
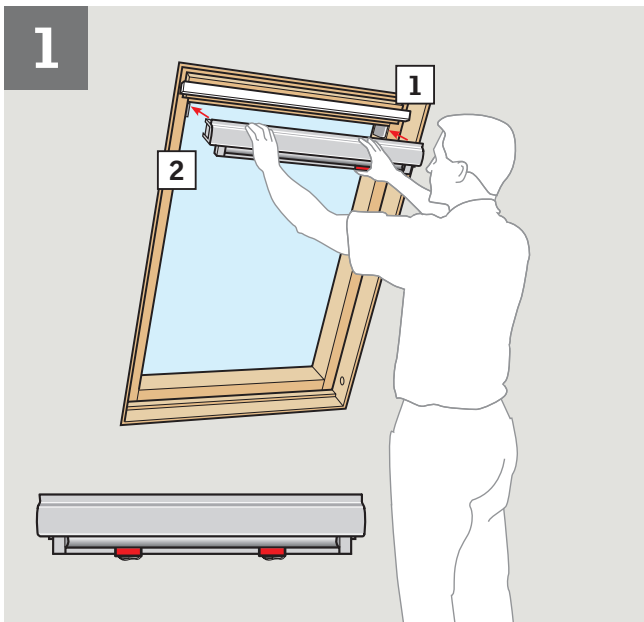
---

**DKL/DKV/DKX  
DG/DJ/RFL**

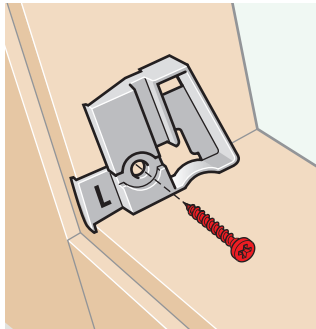
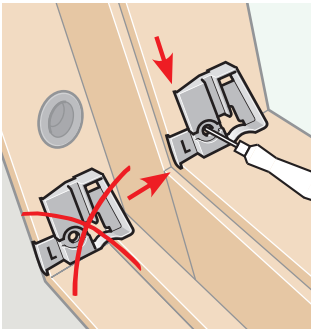
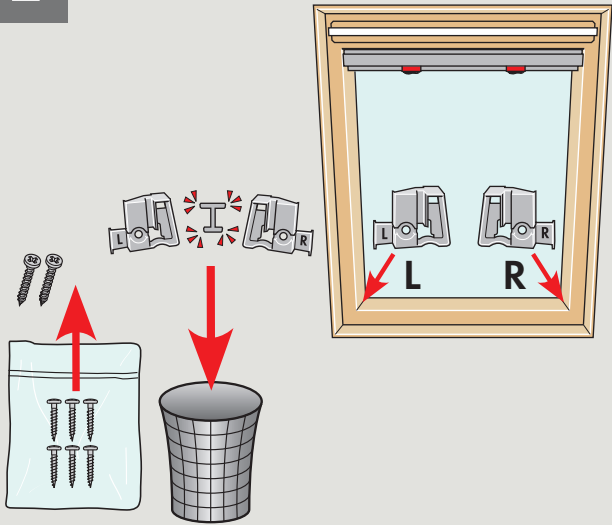


VAS 450962 - 1007

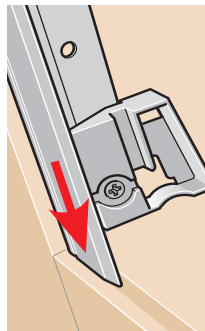
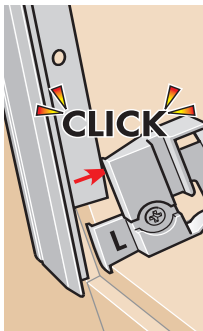
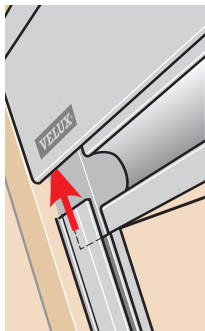
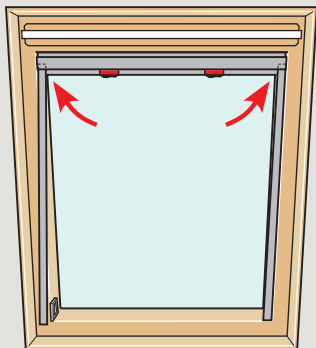
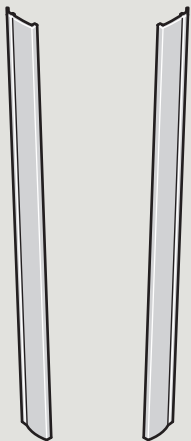




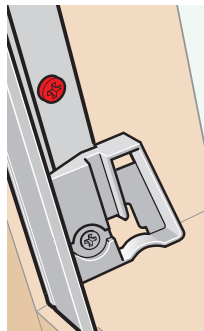
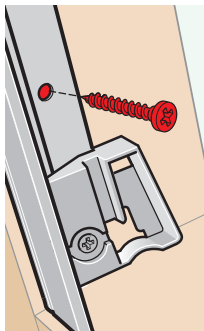
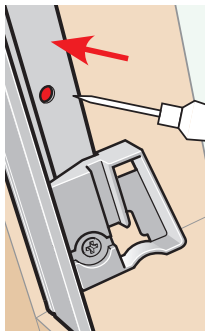
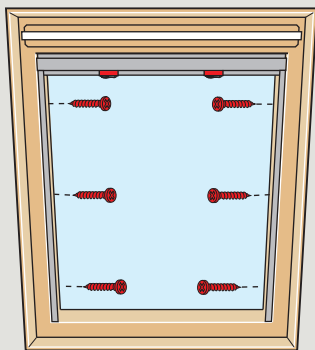
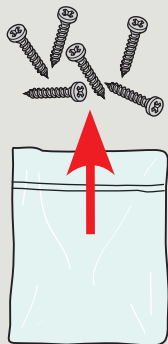
2



3



4



5

